



PRESS FIT AVALANCHE AUTOMOTIVE RECTIFIER

PRBA40L

AVALANCHE VOLTAGE 20 to 24 Volts

CURRENT 40 Amperes

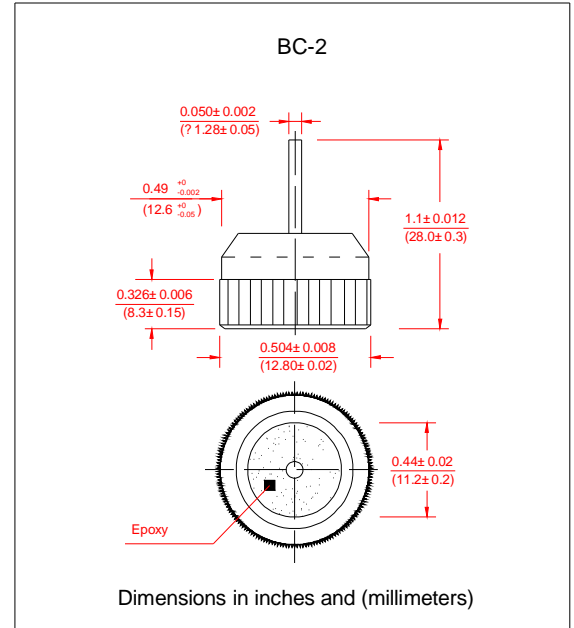
Technical Specifecation:

Features:

- High power capability
- Economical
- Avalanche Voltage: 20V to 24V

MECHANICAL DATA

- Case: transfer molded plastic
- Epoxy: UL94-0 rate flame ratardant
- Polarity: As marked of case bottom
- Structural: With cell
- Technology cell vacuum soldered
- Lead: Plated slug, solderable per MIL-STD-202E Method 208C
- Weight: 0.29ounce, 8.09 Grams



MAXIMUM RATINGS AND ELECTRICAL CHARACTERISTICS

- Ratings at 25°C ambient temperature unless otherwise specified
- Single Phase, half wave, 60Hz, resistive or inductive load
- For capacitive load derate current by 20%

| Electrical Characteristics @ 25°C | SYMBOLS | MIN | NOMINAL | MAX | UNITS |
|--|-----------------------------------|-----|-------------|------|-------|
| Peak Repetitive Reverse Voltage | V _{RRM} | | 17 | | Volts |
| Working Peak Reverse Voltage | V _{RRM} | | 17 | | |
| DC Blocking Voltage | V _{DC} | | 17 | | |
| Average Rectified Forward Current (T _c =125°C) | I _o | | 40 | | Amps |
| Repetitive Peak Reverse Surge Current T _c =10msec Dury Cycle<1% | I _{RSM} | | 40 | | Amps |
| Breakdown Voltage (V _{br} @I _r =100mA, T _c =25°C) | V _{br1} | 20 | 22 | 24 | Volts |
| | V _{br2} | | | 32 | Volts |
| Forward Voltage Drop @I _f =100Amps<300usec | V _F | | 1.05 | 1.08 | Volts |
| Peak Forward Surge Current | I _{FSM} | | 600 | | Amps |
| Reverse Leakage (V _R =17Vdc) T _A =25°C | I _R | | 1.0 | 2.0 | uAmps |
| Operating and Storage Junction Temperature Range | T _J , T _{STG} | | -65 to +175 | | °C |

Notes: 1. Enough heatsink must be considered in application.

